



Mega Beam

XENON



Mega Beam X-Powerpack

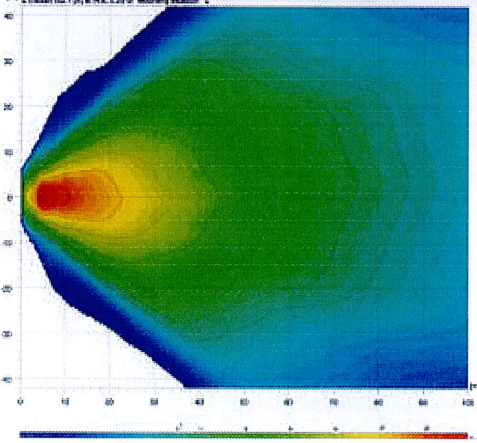
- Compact Xenon Work Lamp with integrated x-Powerpack ballast unit
- 2.5 times the light intensity of a 55W Halogen bulb
- Fiber-glass reinforced plastic housing with integrated die-cast ballast unit
- IP 6K7 (watertight)
- IP 6K9K (dust proof and withstands high pressure wash)
- Protected against EMC interference
- Approximate capsule service life = 2,500 hours
- Meets Hella Norm N67101 - Class 7.2

Accessories:

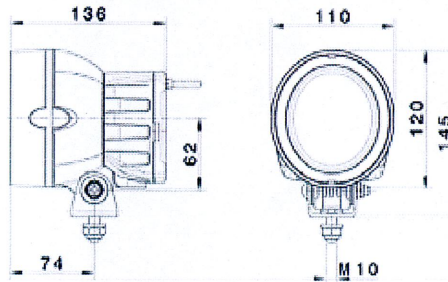
H84985241 Pigtail 300mm with 2 Pin DT Connector

Spare Parts:

H83074001 High Performance D1S Xenon Capsule 12V/24V 35W



Mounting Height: 2.5M, -10° Angle

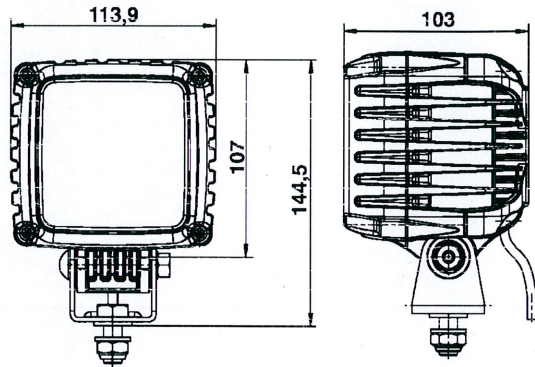
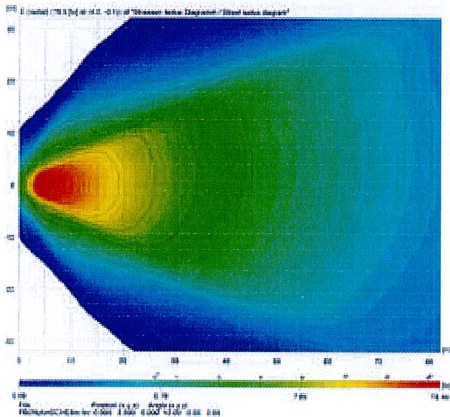


Part Numbers	996135271	996135281
Voltage	12V	24V
Illumination	Close Range	Close Range
Light Source	D1S 35W Capsule	D1S 35W Capsule
Ballast Unit	Gen 4	Gen 4
Power Consumption (including ballast unit)	42W	42W
Luminous flux (calculated)	3200 clm	3200 clm
Luminous flux (measured)	2700 lm	2700 lm
Luminous efficacy (lumens per Watt)	64 lm/W	64 lm/W
Light Temperature	approx. 4250° K	approx. 4250° K
Ambient Temperature	-40°C to +50°C	-40°C to +50°C
Housing Material	HD Plastic	HD Plastic
Optics	Lens & Reflector	Lens & Reflector
Lens Material	Glass	Glass
Connection	Cable w/ DT	Cable w/ DT
Mounting	Pedestal	Pedestal
Harness	Not included	Not included
Bracket	SS 4-point	SS 4-point
Vibration Dampening	No	No
Packaging	Box	Box
Minimum Order Quantity	1	1



Power Beam 2000 LED

- Specially developed thermal management with overheating protection
- Light color similar to daylight
- Electronic DC/DC conversion
- Overvoltage protection
- Reverse polarity protection
- IP 6K7 (watertight)
- IP 6K9K (dust proof and withstands high pressure wash)
- Protected against EMC interference
- Approximate LED service life = 16,000 hours
(dependant upon the ambient temperature of the LEDs)
- Meets Hella Norm N67101 - Class 7.2



Mounting Height: 2.5M, -10° Angle

Part Numbers	996189001
Voltage	9-33V
Illumination	Close Range
Number of High Performance LEDs	16
Power Consumption at 13.5V	41W
Luminous flux (calculated)	2720 clm
Luminous flux (measured)	2475 lm
Luminous efficacy (lumens per Watt)	60lm/W
Light Temperature	5700° K
Ambient Temperature	-40°C to +50°C
Housing Material	Aluminum
Optics	Lens & Reflector
Lens Material	Nylon
Connection	2m cable with Leads
Mounting	Pedestal
Bracket	Stainless Steel
Packaging	Box
Minimum Order Quantity	1

$Current (Amps) = Power (Watts) / Applied Voltage (Volts)$



Power Beam

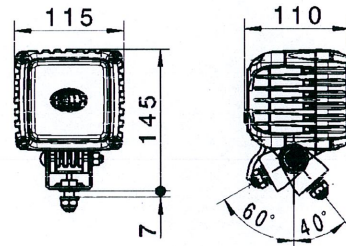
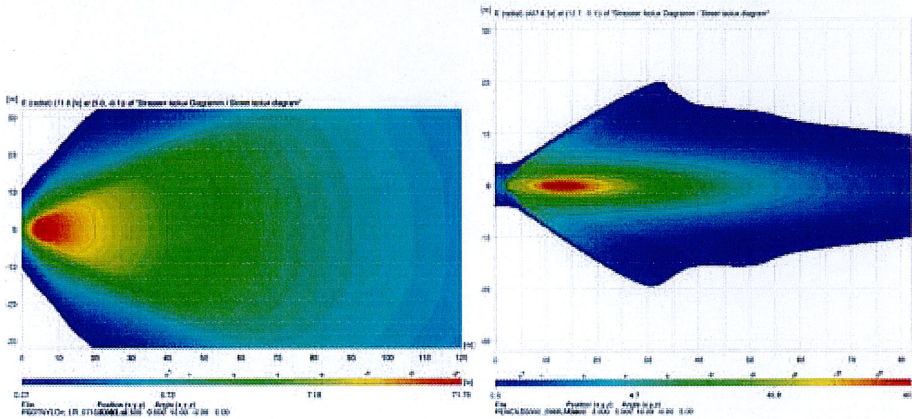
LED



Long range version shown.

Power Beam 3000 LED

- Specially developed thermal management with overheating protection
- Light color similar to daylight
- Electronic DC/DC conversion
- Overvoltage protection
- Reverse polarity protection
- IP 6K7 (watertight)
- IP 6K9K (dust proof and withstands high pressure wash)
- Protected against EMC interference
- Approximate LED service life = 16,000 hours (dependant upon the ambient temperature of the LEDs)
- Meets Hella Norm N67101 - Class 7.2



Close & Long Range, Mounting Height: 2.5M, -10° Angle

Part Numbers	996192001	996192011
Voltage	9-33V	9-33V
Illumination	Close Range	Long Range
Number of High Performance LEDs	16	16
Power Consumption at 13.5V	41W	41W
Luminous flux (calculated)	3680 clm	3680 clm
Luminous flux (measured)	2885 lm	2885 lm
Luminous efficacy (lumens per Watt)	70 lm/W	70 lm/W
Light Temperature	5700° K	5700° K
Ambient Temperature	-40°C to +50°C	-40°C to +50°C
Housing Material	Aluminum	Aluminum
Optics	Lens & Reflector	Lens & Reflector
Lens Material	Nylon	Nylon
Connection	2m cable with Leads	2m cable with Leads
Mounting	Pedestal	Pedestal
Bracket	Stainless Steel	Stainless Steel
Packaging	Box	Box
Minimum Order Quantity	1	1